

**TECHNICAL DATA 578005501**

**LAMP INFO**

<b>Description:</b>	CL TOKIO Natural 3xE27 IP44		
<b>Mark:</b>	10001	CL Ceiling	
<b>Reference:</b>	578005501		
<b>Range:</b>	52432	OKIO	
<b>Code EAN:</b>	8421797780050		
<b>Measures (mm):</b>	0135-0360-0360		
<b>Weight (kg):</b>	1.05		

<b>Lampholder/Watts:</b>	3xE27 LED max.20W	<b>CCT:</b>	-	<b>Switch:</b>	No
<b>Bulb included:</b>	No	<b>Lm:</b>	-	<b>USB_C:</b>	No
<b>Class:</b>	Class II	<b>Effi LS:</b>	-	<b>Shade:</b>	No
<b>IP:</b>	44	<b>CRI:</b>	-	<b>Dimmable:</b>	No
<b>Driver inc.:</b>	No	<b>Lamp Power:</b>	-		
<b>Voltage/Frequence:</b>	230V - 50Hz	<b>Applied Standard:</b>	CE / LVD		

**PACKAGING DETAILS**

	Individual Box	Outer Box	Master Box
<b>Type:</b>	MDC - BROWN PRINTED	MDC - MARRON / BROWN	
<b>Units:</b>	1.00	4.00	0.00
<b>Measures:</b>	0380-0165-0380	0680-0395-0395	_____
<b>Gross Weight (kg):</b>	1.52	6.90	-
<b>CTN 40':</b>	2.111,00		

**OBSERVATIONS**

---



---



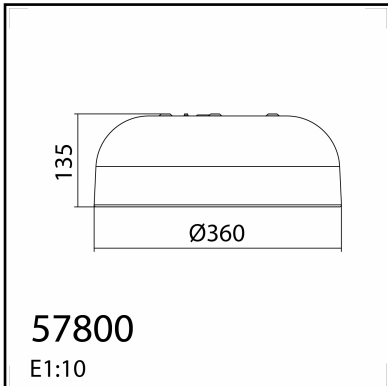
---



---



---



**TECHNICAL DATA 578009101**

**LAMP INFO**

<b>Description:</b>	CL TOKIO Negro Mate 3xE27 IP44
<b>Mark:</b>	10001 CL Ceiling
<b>Reference:</b>	578009101
<b>Range:</b>	52432 OKIO
<b>Code EAN:</b>	8421797780098
<b>Measures (mm):</b>	0135-0360-0360
<b>Weight (kg):</b>	1.05

<b>Lampholder/Watts:</b>	3xE27 LED max.20W	<b>CCT:</b>	-	<b>Switch:</b>	No
<b>Bulb included:</b>	No	<b>Lm:</b>	-	<b>USB_C:</b>	No
<b>Class:</b>	Class II	<b>Effi LS:</b>	-	<b>Shade:</b>	No
<b>IP:</b>	44	<b>CRI:</b>	-	<b>Dimmable:</b>	No
<b>Driver inc.:</b>	No	<b>Lamp Power:</b>	-		
<b>Voltage/Frequence:</b>	230V - 50Hz	<b>Applied Standard:</b>	CE / LVD		

**PACKAGING DETAILS**

	Individual Box	Outer Box	Master Box
<b>Type:</b>	MDC - BROWN PRINTED	MDC - MARRON / BROWN	
<b>Units:</b>	1.00	4.00	0.00
<b>Measures:</b>	0380-0165-0380	0680-0395-0395	
<b>Gross Weight (kg):</b>	1.52	6.90	-
<b>CTN 40':</b>	2.111,00		

**OBSERVATIONS**

---



---



---



---



---