

**TECHNICAL DATA 577763501**

| LAMP INFO      |   |
|----------------|---|
| Description:   | LAMPARA COLGAR RONDA cromo mate 1xE27 diam.30 |
| Mark:          | 10000 PD Pendant                              |
| Reference:     | 577763501                                     |
| Range:         | 57770 RONDA                                   |
| Code EAN:      | 842179777630                                  |
| Measures (mm): | 2000-0300-0300                                |
| Weight (kg):   | 1.24  |

|                    |                 |                   |          |           |    |
|--------------------|-----------------|-------------------|----------|-----------|----|
| Lampholder/Watts:  | E27 LED max.20W | CCT:              | -        | Switch:   | No |
| Bulb included:     | No              | Lm:               | -        | USB_C:    | No |
| Class:             | Class I         | Effi LS:          | -        | Shade:    | No |
| IP:                | 20              | CRI:              | -        | Dimmable: | No |
| Driver inc.:       | No              | Lamp Power:       | -        |           |    |
| Voltage/Frequence: | 230V - 50Hz     | Applied Standard: | CE / LVD |           |    |

**PACKAGING DETAILS**

|                    | Individual Box      | Outer Box                | Master Box |
|--------------------|---------------------|--------------------------|------------|
| Type:              | MDC - BROWN PRINTED | MDC - MARRON / BROWN (c) |            |
| Units:             | 1.00                | 4.00                     | 0.00       |
| Measures:          | 0370-0320-0320      | 0660-0660-0390           | _____      |
| Gross Weight (kg): | 1.86                | 8.62                     | -          |
| CTN 40°:           | 1.318,00            |                          |            |

**OBSERVATIONS**

---



---



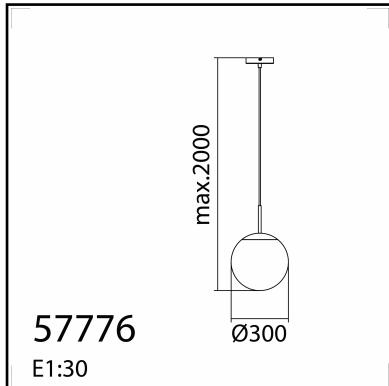
---



---



---



**TECHNICAL DATA 577766101**

| LAMP INFO      |   |
|----------------|---|
| Description:   | LAMPARA COLGAR RONDA latón mate 1xE27 diam.30 |
| Mark:          | 10000 PD Pendant                              |
| Reference:     | 577766101                                     |
| Range:         | 57770 RONDA                                   |
| Code EAN:      | 842179777661                                  |
| Measures (mm): | 2000-0300-0300                                |
| Weight (kg):   | 1.24  |

|                    |                 |                   |          |           |    |
|--------------------|-----------------|-------------------|----------|-----------|----|
| Lampholder/Watts:  | E27 LED max.20W | CCT:              | -        | Switch:   | No |
| Bulb included:     | No              | Lm:               | -        | USB_C:    | No |
| Class:             | Class I         | Effi LS:          | -        | Shade:    | No |
| IP:                | 20              | CRI:              | -        | Dimmable: | No |
| Driver inc.:       | No              | Lamp Power:       | -        |           |    |
| Voltage/Frequence: | 230V - 50Hz     | Applied Standard: | CE / LVD |           |    |

**PACKAGING DETAILS**

|                    | Individual Box      | Outer Box                | Master Box |
|--------------------|---------------------|--------------------------|------------|
| Type:              | MDC - BROWN PRINTED | MDC - MARRON / BROWN (c) |            |
| Units:             | 1.00                | 4.00                     | 0.00       |
| Measures:          | 0370-0320-0320      | 0660-0660-0390           |            |
| Gross Weight (kg): | 1.86                | 8.62                     | -          |
| CTN 40°:           | 1.318,00            |                          |            |

**OBSERVATIONS**

---



---



---



---



---