

TECHNICAL DATA N° 3.165 -576879105

LAMP INFO

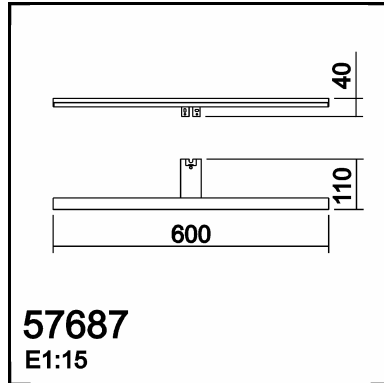
Description:	WL TIWALL KIT MB LED 12W 450mm 4000K IP44		
Mark:	10002 WL Wall Lamp		
Reference:	576879105		
Provisional Ref.:			
Range:	52410 MIWALL		
Code EAN:	8421797768799		
Measures (mm):	0040-0600-0110	Weight (kg):	0.31

Lampholder/Watts:	LED 16W	CCT:	4000K	Switch:	No
Bulb included:	Yes - SMD	Lm:	1401.47	Dimmer:	No
Class:	II	Efi:	A++,A	Shade:	No
IP:	44	Ra:	85.9	Shrink wrap:	No
Transformer:	Yes	McAdam:	2.7	Applied Standard:	CE / LVD
Voltage/Frequency:	230V - 50Hz	Power:	15.5W	Bulk:	No

PACKAGING DETAILS

	Individual Box	Outer Box	Master Box
Type:	MDC- COLORS / COULEUR	MDC - MARRON / BROWN (c)	
Units:	1.00	10.00	0.00
Measures:	0605-0115-0047	0510-0625-0130	
Gross Weight (kg):	0.53	6.20	-
CTN 40':	13.514,00		

OBSERVATIONS



TECHNICAL DATA N° 3.007 -576873003

LAMP INFO

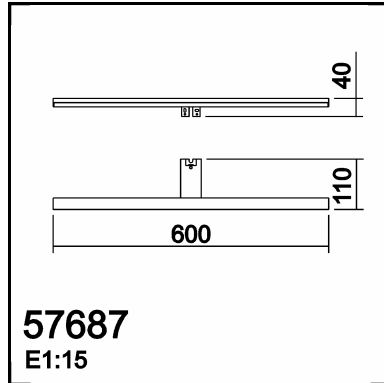
Description:	WL TIWALL KIT cromo brillo LED 16W 600mm 4K IP44		
Mark:	10002 WL Wall Lamp		
Reference:	576873003		
Provisional Ref.:			
Range:	52410 MIWALL		
Code EAN:	8421797768737		
Measures (mm):	0040-0600-0110	Weight (kg):	0.31

Lampholder/Watts:	LED 16W	CCT:	4000K	Switch:	No
Bulb included:	Yes - SMD	Lm:	1401.47	Dimmer:	No
Class:	II	Efi:	A++..A	Shade:	No
IP:	44	Ra:	85.9	Shrink wrap:	No
Transformer:	Yes	McAdam:	2.7	Applied Standard:	CE / LVD
Voltage/Frequency:	230V - 50Hz	Power:	15.5W	Bulk:	No

PACKAGING DETAILS

	Individual Box	Outer Box	Master Box
Type:	MDC- COLORS / COULEUR	MDC - MARRON / BROWN (c)	
Units:	1.00	10.00	0.00
Measures:	0605-0115-0047	0510-0625-0130	
Gross Weight (kg):	0.53	6.20	-
CTN 40':	13.514,00		

OBSERVATIONS



TECHNICAL DATA N° 3.167 -576879109

LAMP INFO

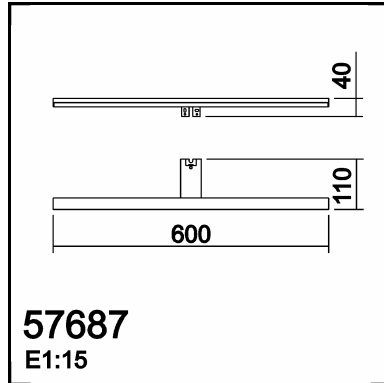
Description:	WL TIWALL KIT Negro Mate LED 16W 600mm 3000K IP44		
Mark:	10002 WL Wall Lamp		
Reference:	576879109		
Provisional Ref.:			
Range:	52410 MIWALL		
Code EAN:	8421797768751		
Measures (mm):	0040-0600-0110	Weight (kg):	0.31

Lampholder/Watts:	LED 16W	CCT:	3000K	Switch:	No
Bulb included:	Yes - SMD	Lm:	1549.30	Dimmer:	No
Class:	II	Efi:	A++..A	Shade:	No
IP:	44	Ra:	84.1	Shrink wrap:	No
Transformer:	Yes	McAdam:	1.6	Applied Standard:	CE / LVD
Voltage/Frequency:	230V - 50Hz	Power:	15.2W	Bulk:	No

PACKAGING DETAILS

	Individual Box	Outer Box	Master Box
Type:	MDC- COLORS / COULEUR	MDC - MARRON / BROWN (c)	
Units:	1.00	10.00	0.00
Measures:	0605-0115-0047	0510-0625-0130	
Gross Weight (kg):	0.53	6.20	-
CTN 40':	13.514,00		

OBSERVATIONS



TECHNICAL DATA N° 3.166 -576873009

LAMP INFO

Description:	WL TIWALL KIT cromo brillo LED 16W 600mm 3K IP44		
Mark:	10002 WL Wall Lamp		
Reference:	576873009		
Provisional Ref.:			
Range:	52410 MIWALL		
Code EAN:	8421797768720		
Measures (mm):	0040-0600-0110	Weight (kg):	0.31

Lampholder/Watts:	LED 16W	CCT:	3000K	Switch:	No
Bulb included:	Yes - SMD	Lm:	1549.30	Dimmer:	No
Class:	II	Efi:	A++..A	Shade:	No
IP:	44	Ra:	84.1	Shrink wrap:	No
Transformer:	Yes	McAdam:	1.6	Applied Standard:	CE / LVD
Voltage/Frequency:	230V - 50Hz	Power:	15.2W	Bulk:	No

PACKAGING DETAILS

	Individual Box	Outer Box	Master Box
Type:	MDC- COLORS / COULEUR	MDC - MARRON / BROWN (c)	
Units:	1.00	10.00	0.00
Measures:	0605-0115-0047	0510-0625-0130	
Gross Weight (kg):	0.53	6.20	-
CTN 40':	13.514,00		

OBSERVATIONS
