

TECHNICAL DATA Nº 2.886 - 576543520

LAMP INFO

Description:	LAMP PIE DINA T, LED 18W+5W mesa+USB (cromo mate)		
Mark:	00012 LAM PIE SIN MADERA		
Reference:	576543520		
Provisional Ref.:			
Range:	57524 DINA		
Code EAN:	8421797765439		
Measures (mm):	1765-0250-0250	Weight (kg):	6.06

TECHNICAL INFO

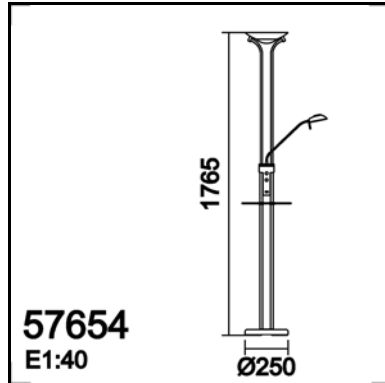
Lampholder/Watts:	LED 18W+5W	Switch:	Rotatory	Transformer:	Yes
Bulb included:	Yes - SMD	Dimmer:	Yes	Voltage/Frequence:	DC 24V - 1.7A
CCT:	3000K	Efi:	A++..A	Shade:	No
Lm:	-	Ra:	-	Shrink wrap:	No
Class:	III	Bulk:	No	Applied Standard:	CE / LVD
IP:	20	McAdam:	-	Power:	-

PACKAGING DETAILS

	Individual Box	Outer Box	Master Box
Type:	MDC- COLORS / COULEUR		
Units:	1.00	0.00	0.00
Measures:	1040-0292-0140	___-___-___	___-___-___
Gross Weight (kg):	7.28	-	-
CTN 40':	1.317,00		

OBSERVATIONS

LED 1800lm i 480lm



TECHNICAL DATA Nº 2.910 -576544420

LAMP INFO

Description:	LAMP PIE DINA T, LED 18W+5W mesa+USB (medalla)		
Mark:	20000 FL Floor Lamp		
Reference:	576544420		
Provisional Ref.:			
Range:	57524 DINA		
Code EAN:	8421797765446		
Measures (mm):	1765-0250-0250	Weight (kg):	6.06

TECHNICAL INFO

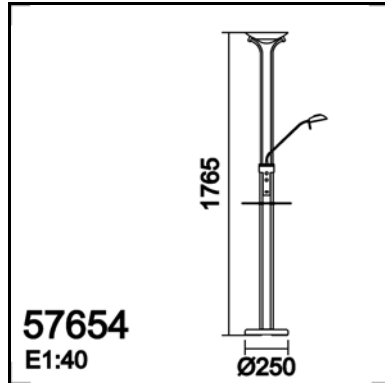
Lampholder/Watts:	LED 18W+5W	Switch:	Rotatory	Transformer:	Yes
Bulb included:	Yes - SMD	Dimmer:	Yes	Voltage/Frequence:	DC 24V - 1.7A
CCT:	3000K	Efi:	A++..A	Shade:	No
Lm:	-	Ra:	-	Shrink wrap:	No
Class:	III	Bulk:	No	Applied Standard:	CE / LVD
IP:	20	McAdam:	-	Power:	26.2W

PACKAGING DETAILS

	Individual Box	Outer Box	Master Box
Type:	MDC- COLORS / COULEUR		
Units:	1.00	0.00	0.00
Measures:	1040-0292-0140	___-___-___	___-___-___
Gross Weight (kg):	7.28	-	-
CTN 40':	1.317,00		

OBSERVATIONS

1700 lm i 400 lm



TECHNICAL DATA Nº 2.911 -576547520

LAMP INFO

Description:	LAMP PIE DINA T, LED 18W+5W mesa+USB(marron oxidado)		
Mark:	20000 FL Floor Lamp		
Reference:	576547520		
Provisional Ref.:			
Range:	57524 DINA		
Code EAN:	8421797765477		
Measures (mm):	1765-0250-0250	Weight (kg):	6.06

TECHNICAL INFO

Lampholder/Watts:	LED 18W+5W	Switch:	Rotatory	Transformer:	Yes
Bulb included:	Yes - SMD	Dimmer:	Yes	Voltage/Frequence:	DC 24V - 1.7A
CCT:	3000K	Efi:	A++..A	Shade:	No
Lm:	-	Ra:	-	Shrink wrap:	No
Class:	III	Bulk:	No	Applied Standard:	CE / LVD
IP:	20	McAdam:	-	Power:	26.2W

PACKAGING DETAILS

	Individual Box	Outer Box	Master Box
Type:	MDC- COLORS / COULEUR		
Units:	1.00	0.00	0.00
Measures:	1040-0292-0140	___-___-___	___-___-___
Gross Weight (kg):	7.28	-	-
CTN 40':	1.317,00		

OBSERVATIONS

1700 lm i 400 lm