

TECHNICAL DATA N° 2.953 - 576183503

LAMP INFO

Description:	PL NILO,Ø52cmLED60W 3-6Kcont.rem.(estrell+cr mat)		
Mark:	10001 CL Ceiling		
Reference:	576183503		
Provisional Ref.:			
Range:	57617 NILO		
Code EAN:	8421797761837		
Measures (mm):	0420-4200-0070	Weight (kg):	2.06

TECHNICAL INFO

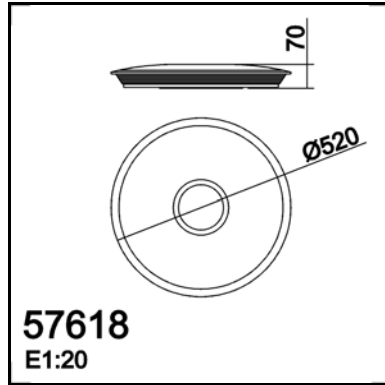
Lampholder/Watts:	LED 60W	Switch:	No	Transformer:	Yes
Bulb included:	Yes - SMD	Dimmer:	Yes	Voltage/Frequence:	230V - 50Hz
CCT:	Dimmable CCT 3000K-6500K	Efi:	A++..A	Shade:	No
Lm:	5409.45	Ra:	84.5	Shrink wrap:	No
Class:	II	Bulk:	No	Applied Standard:	CE / LVD
IP:	20	McAdam:	3.2	Power:	62.0W

PACKAGING DETAILS

	Individual Box	Outer Box	Master Box
Type:	MDC- COLORS / COULEUR	MDC - MARRON / BROWN	
Units:	1.00	6.00	0.00
Measures:	0430-0065-0440	0445-0415-0460	___-___-___
Gross Weight (kg):	2.20	13.20	-
CTN 40':	3.955,00		

OBSERVATIONS

LED 5410lm



TECHNICAL DATA Nº 2.952 -576184303

LAMP INFO

Description:	PL NILO,Ø52cmLED60W 3-6Kcont.rem.(estrell+bronce)		
Mark:	10001 CL Ceiling		
Reference:	576184303		
Provisional Ref.:			
Range:	57617 NILO		
Code EAN:	8421797761844		
Measures (mm):	0420-4200-0070	Weight (kg):	2.06

TECHNICAL INFO

Lampholder/Watts:	LED 60W	Switch:	No	Transformer:	Yes
Bulb included:	Yes - SMD	Dimmer:	Yes	Voltage/Frequence:	230V - 50Hz
CCT:	Dimmable CCT 3000K-6500K	Efi:	A++..A	Shade:	No
Lm:	5409.45	Ra:	84.5	Shrink wrap:	No
Class:	II	Bulk:	No	Applied Standard:	CE / LVD
IP:	20	McAdam:	3.2	Power:	62.0W

PACKAGING DETAILS

	Individual Box	Outer Box	Master Box
Type:	MDC- COLORS / COULEUR	MDC - MARRON / BROWN	
Units:	1.00	6.00	0.00
Measures:	0430-0065-0440	0445-0415-0460	___-___-___
Gross Weight (kg):	2.20	13.20	-
CTN 40':	3.955,00		

OBSERVATIONS

LED 5410lm