

TECHNICAL DATA 576173503

LAMP INFO	
Description:	PL NILO,Ø42cmLED30W 3-6Kcont. rem.(estrell+cr mat)
Mark:	10001 CL Ceiling
Reference:	576173503
Range:	57617 NILO
Code EAN:	8421797761738
Measures (mm):	0420-4200-0070
Weight (kg):	0.95

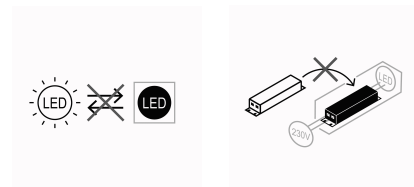
Lampholder/Watts:	LED 30W	CCT:	Progressive CCT 3000K-6500K	Switch:	Remote Control
Bulb included:	Yes - SMD	Lm:	2330	USB_C:	No
Class:	Class II	Effi LS:	F	Shade:	No
IP:	20	CRI:	84,50	Dimmable:	Progressive 0-100% dimmer included
Driver inc.:	Yes	Lamp Power:	30,00W		
Voltage/Frequence:	230V - 50Hz	Applied Standard:	CE / LVD		

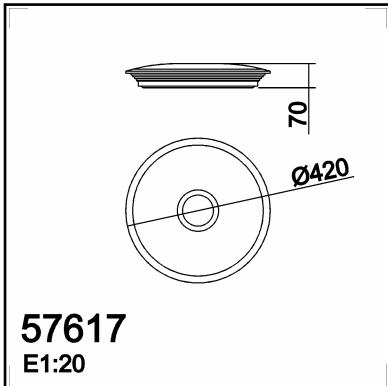
PACKAGING DETAILS

	Individual Box	Outer Box	Master Box
Type:	MDC- COLORS / COULEUR	MDC - MARRON / BROWN (c)	
Units:	1.00	6.00	0.00
Measures:	0430-0065-0440	0480-0445-0460	_____
Gross Weight (kg):	1.38	9.15	-
CTN 40':	3.419,00		

OBSERVATIONS

LED 2330lm





TECHNICAL DATA 576174303

LAMP INFO

Description:	PL NILO,Ø42cmLED30W 3-6Kcont.rem.(estrellado+bron)		
Mark:	10001	CL Ceiling	
Reference:	576174303		
Range:	57617	NILO	
Code EAN:	8421797761745		
Measures (mm):	0420-4200-0070		
Weight (kg):	0.95		

Lampholder/Watts:	LED 30W	CCT:	Progressive CCT 3000K-6500K	Switch:	Remote Control
Bulb included:	Yes - SMD	Lm:	2330	USB_C:	No
Class:	Class II	Effi LS:	F	Shade:	No
IP:	20	CRI:	84,50	Dimmable:	Progressive 0-100% dimmer included
Driver inc.:	Yes	Lamp Power:	30,00W		
Voltage/Frequence:	230V - 50Hz	Applied Standard:	CE / LVD		

PACKAGING DETAILS

	Individual Box	Outer Box	Master Box
Type:	MDC- COLORS / COULEUR	MDC - MARRON / BROWN (c)	
Units:	1.00	6.00	0.00
Measures:	0430-0065-0440	0480-0445-0460	_____
Gross Weight (kg):	1.38	9.15	-
CTN 40':	3.419,00		

OBSERVATIONS

LED 2330lm

