

TECHNICAL DATA N° 3.124 -576083502

LAMP INFO

Description:	L. PIE ANELLO ,LED 30W+5W, 3Kdim (cromo mate)		
Mark:	20000 FL Floor Lamp		
Reference:	576083502		
Provisional Ref.:			
Range:	57608 ANELLO		
Code EAN:	8421797760823		
Measures (mm):	1800-0280-0280	Weight (kg):	6.05

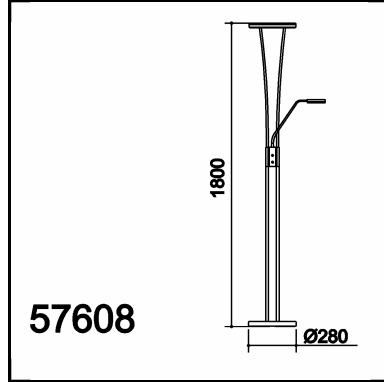
Lampholder/Watts:	LED 30W + 5W	CCT:	3000K	Switch:	Rotatory
Bulb included:	Yes - SMD	Lm:	1987.13	Dimmer:	Yes
Class:	III	Efi:	A+.,.A	Shade:	No
IP:	20	Ra:	81.7	Shrink wrap:	No
Transformer:	Yes	McAdam:	0.8	Applied Standard:	CE / LVD
Voltage/Frequency:	DC 36V - 1A	Power:	38.6W	Bulk:	No

PACKAGING DETAILS

	Individual Box	Outer Box	Master Box
Type:	MDC-MARRON / BROWN		
Units:	1.00	0.00	0.00
Measures:	1046-0315-0100	_____	_____
Gross Weight (kg):	7.10	-	-
CTN 40':	1.699,00		

OBSERVATIONS

3000lm+400lm



TECHNICAL DATA Nº 3.125 -576084302

LAMP INFO

Description:	L. PIE ANELLO ,LED 30W+5W, 3Kdim (medalla)		
Mark:	20000 FL Floor Lamp		
Reference:	576084302		
Provisional Ref.:			
Range:	57608 ANELLO		
Code EAN:	8421797760847		
Measures (mm):	1800-0280-0280	Weight (kg):	6.05

Lampholder/Watts:	LED 30W + 5W	CCT:	3000K	Switch:	Rotatory
Bulb included:	Yes - SMD	Lm:	1987.13	Dimmer:	Yes
Class:	III	Efi:	A+.,A	Shade:	No
IP:	20	Ra:	81.7	Shrink wrap:	No
Transformer:	Yes	McAdam:	0.8	Applied Standard:	CE / LVD
Voltage/Frequency:	DC 36V - 1A	Power:	38.6W	Bulk:	No

PACKAGING DETAILS

	Individual Box	Outer Box	Master Box
Type:	MDC-MARRON / BROWN		
Units:	1.00	0.00	0.00
Measures:	1046-0315-0100	_____	_____
Gross Weight (kg):	7.10	-	-
CTN 40':	1.699,00		

OBSERVATIONS

3000lm+400lm