

TECHNICAL DATA N° 2.775 -575766102

LAMP INFO

Description:	APLIQUE WENDY, 2*7W 3000K (latón mate)		
Mark:	10002 WL Wall Lamp		
Reference:	575766102		
Provisional Ref.:			
Range:	57576 WENDY		
Code EAN:	8421797757663		
Measures (mm):	0300-0082-0050	Weight (kg):	0.70

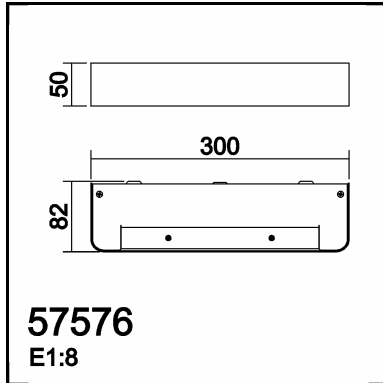
TECHNICAL INFO

Lampholder/Watts:	LED 2x7W	Switch:	No	Transformer:	Yes
Bulb included:	Yes - SMD	Dimmer:	No	Voltage/Frequence:	230V - 50Hz
CCT:	3000K	Efi:	A++..A	Shade:	No
Lm:	683.55	Ra:	83.8	Shrink wrap:	No
Class:	II	Bulk:	No	Applied Standard:	CE / LVD
IP:	20	McAdam:	1.9	Power:	13.1W

PACKAGING DETAILS

	Individual Box	Outer Box	Master Box
Type:	MDC-MARRON / BROWN	MDC - MARRON / BROWN	
Units:	1.00	12.00	0.00
Measures:	0130-0350-0095	0415-0405-0370	_____
Gross Weight (kg):	0.80	10.30	-
CTN 40':	10.805,00		

OBSERVATIONS



TECHNICAL DATA N° 2.774 -575763502

LAMP INFO

Description:	APLIQUE WENDY, 2*7W 3000K (cromo mate)		
Mark:	10002 WL Wall Lamp		
Reference:	575763502		
Provisional Ref.:			
Range:	57576 WENDY		
Code EAN:	8421797757632		
Measures (mm):	0300-0082-0050	Weight (kg):	0.70

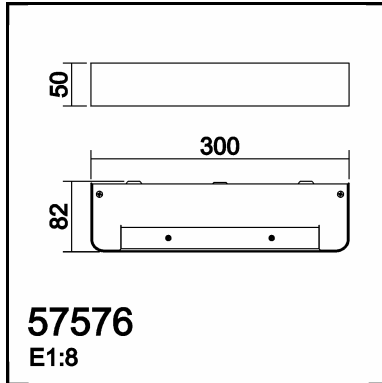
TECHNICAL INFO

Lampholder/Watts:	LED 2x7W	Switch:	No	Transformer:	Yes
Bulb included:	Yes - SMD	Dimmer:	No	Voltage/Frequence:	230V - 50Hz
CCT:	3000K	Efi:	A++..A	Shade:	No
Lm:	683.55	Ra:	83.8	Shrink wrap:	No
Class:	II	Bulk:	No	Applied Standard:	CE / LVD
IP:	20	McAdam:	1.9	Power:	13.1W

PACKAGING DETAILS

	Individual Box	Outer Box	Master Box
Type:	MDC-MARRON / BROWN	MDC - MARRON / BROWN	
Units:	1.00	12.00	0.00
Measures:	0130-0350-0095	0415-0405-0370	___-___-___
Gross Weight (kg):	0.80	10.30	-
CTN 40':	10.805,00		

OBSERVATIONS



TECHNICAL DATA N° 2.777 -575769102

LAMP INFO

Description:	APLIQUE WENDY, 2*7W 3000K (negro mate)		
Mark:	10002 WL Wall Lamp		
Reference:	575769102		
Provisional Ref.:			
Range:	57576 WENDY		
Code EAN:	8421797757694		
Measures (mm):	0300-0082-0050	Weight (kg):	0.70

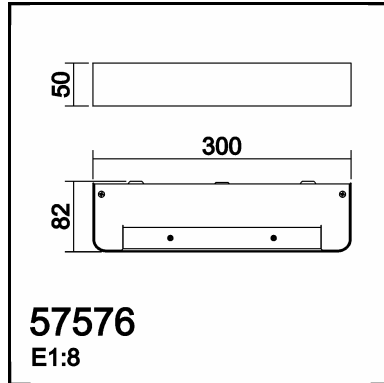
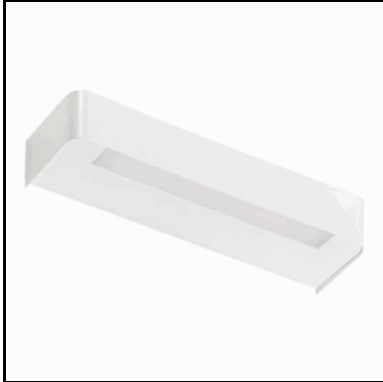
TECHNICAL INFO

Lampholder/Watts:	LED 2x7W	Switch:	No	Transformer:	Yes
Bulb included:	Yes - SMD	Dimmer:	No	Voltage/Frequence:	230V - 50Hz
CCT:	3000K	Efi:	A++..A	Shade:	No
Lm:	683.55	Ra:	83.8	Shrink wrap:	No
Class:	II	Bulk:	No	Applied Standard:	CE / LVD
IP:	20	McAdam:	1.9	Power:	13.1W

PACKAGING DETAILS

	Individual Box	Outer Box	Master Box
Type:	MDC-MARRON / BROWN	MDC - MARRON / BROWN	
Units:	1.00	12.00	0.00
Measures:	0130-0350-0095	0415-0405-0370	___-___-___
Gross Weight (kg):	0.80	10.30	-
CTN 40':	10.805,00		

OBSERVATIONS



TECHNICAL DATA N° 2.776 -575768102

LAMP INFO

Description:	APLIQUE WENDY, 2*7W 3000K (blanco mate)		
Mark:	10002 WL Wall Lamp		
Reference:	575768102		
Provisional Ref.:			
Range:	57576 WENDY		
Code EAN:	8421797757687		
Measures (mm):	0300-0082-0050	Weight (kg):	0.70

TECHNICAL INFO

Lampholder/Watts:	LED 2x7W	Switch:	No	Transformer:	Yes
Bulb included:	Yes - SMD	Dimmer:	No	Voltage/Frequence:	230V - 50Hz
CCT:	3000K	Efi:	A++..A	Shade:	No
Lm:	683.55	Ra:	83.8	Shrink wrap:	No
Class:	II	Bulk:	No	Applied Standard:	CE / LVD
IP:	20	McAdam:	1.9	Power:	13.1W

PACKAGING DETAILS

	Individual Box	Outer Box	Master Box
Type:	MDC-MARRON / BROWN	MDC - MARRON / BROWN	
Units:	1.00	12.00	0.00
Measures:	0130-0350-0095	0415-0405-0370	___-___-___
Gross Weight (kg):	0.80	10.30	-
CTN 40':	10.805,00		

OBSERVATIONS
