

TECHNICAL DATA N° 2.661 -575243520

LAMP INFO

Description:	LAMP PIE DINA, LED 18W+5W (cromo mate)		
Mark:	20000 FL Floor Lamp		
Reference:	575243520		
Provisional Ref.:			
Range:	57524 DINA		
Code EAN:	8421797752439		
Measures (mm):	0254-0254-1808	Weight (kg):	5.63

TECHNICAL INFO

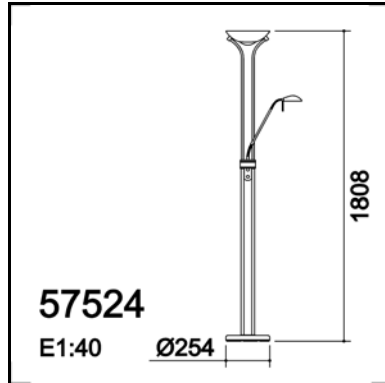
Lampholder/Watts:	LED 18W+5W	Switch:	Rotatory	Transformer:	Yes
Bulb included:	Yes - SMD	Dimmer:	Yes	Voltage/Frequence:	DC 24V - 1A
CCT:	3000K	Efi:	A++..A	Shade:	No
Lm:	-	Ra:	-	Shrink wrap:	No
Class:	III	Bulk:	No	Applied Standard:	CE / LVD
IP:	20	McAdam:	-	Power:	27.9W

PACKAGING DETAILS

	Individual Box	Outer Box	Master Box
Type:	COLOR BOX		
Units:	1.00	0.00	0.00
Measures:	0291-0111-1042	___-___-___	___-___-___
Gross Weight (kg):	6.30	-	-
CTN 40':	1.663,00		

OBSERVATIONS

1800lm i 480lm



TECHNICAL DATA N° 2.662 -575244420

LAMP INFO

Description:	LAMP PIE DINA, LED 18W+5W (medalla)		
Mark:	20000 FL Floor Lamp		
Reference:	575244420		
Provisional Ref.:			
Range:	57524 DINA		
Code EAN:	8421797752446		
Measures (mm):	0254-0254-1808	Weight (kg):	5.63

TECHNICAL INFO

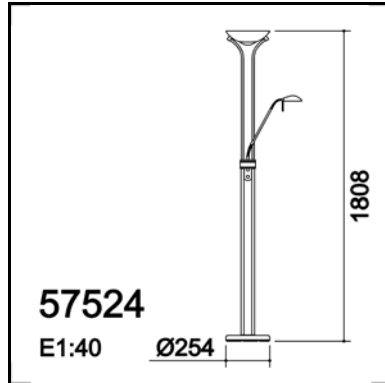
Lampholder/Watts:	LED 18W+5W	Switch:	Rotatory	Transformer:	Yes
Bulb included:	Yes - SMD	Dimmer:	Yes	Voltage/Frequence:	DC 24V - 1A
CCT:	3000K	Efi:	A++..A	Shade:	No
Lm:	-	Ra:	-	Shrink wrap:	No
Class:	III	Bulk:	No	Applied Standard:	CE / LVD
IP:	20	McAdam:	-	Power:	27.9W

PACKAGING DETAILS

	Individual Box	Outer Box	Master Box
Type:	COLOR BOX		
Units:	1.00	0.00	0.00
Measures:	0291-0111-1042	___-___-___	___-___-___
Gross Weight (kg):	6.30	-	-
CTN 40':	1.663,00		

OBSERVATIONS

1800lm i 480lm



TECHNICAL DATA N° 2.663 - 575247520

LAMP INFO

Description:	LAMP PIE DINA, LED 18W+5W (marron oxido)		
Mark:	20000 FL Floor Lamp		
Reference:	575247520		
Provisional Ref.:			
Range:	57524 DINA		
Code EAN:	8421797752477		
Measures (mm):	0254-0254-1808	Weight (kg):	5.63

TECHNICAL INFO

Lampholder/Watts:	LED 18W+5W	Switch:	Rotatory	Transformer:	Yes
Bulb included:	Yes - SMD	Dimmer:	Yes	Voltage/Frequence:	DC 24V - 1A
CCT:	3000K	Efi:	A++..A	Shade:	No
Lm:	-	Ra:	-	Shrink wrap:	No
Class:	III	Bulk:	No	Applied Standard:	CE / LVD
IP:	20	McAdam:	-	Power:	27.9W

PACKAGING DETAILS

	Individual Box	Outer Box	Master Box
Type:	COLOR BOX		
Units:	1.00	0.00	0.00
Measures:	0291-0111-1042	___-___-___	___-___-___
Gross Weight (kg):	6.30	-	-
CTN 40':	1.663,00		

OBSERVATIONS

1800lm i 480lm