

TECHNICAL DATA Nº 3.012 -574683520

LAMP INFO

| | | | |
|--------------------------|---|---------------------|------|
| Description: | L. PIE DUOMO T,LED 5W+22W, USB+mesa(cromo mate) | | |
| Mark: | 20000 FL Floor Lamp | | |
| Reference: | 574683520 | | |
| Provisional Ref.: | | | |
| Range: | 57104 DUOMO | | |
| Code EAN: | 8421797746841 | | |
| Measures (mm): | 1800-0254-0254 | Weight (kg): | 5.93 |

TECHNICAL INFO

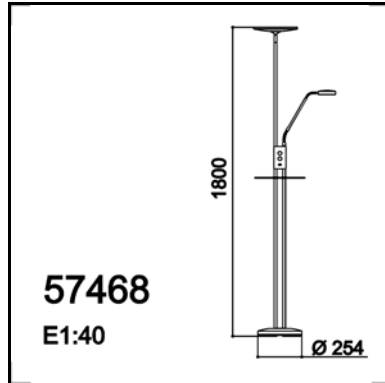
| | | | | | |
|--------------------------|---------------|----------------|------------------------|---------------------------|---------------|
| Lampholder/Watts: | LED 22W + 5W | Switch: | Rotatory / push-button | Transformer: | Yes |
| Bulb included: | Yes - SMD | Dimmer: | Yes | Voltage/Frequence: | DC 24V - 1.7A |
| CCT: | 3000K / 4000K | Efi: | A++..A | Shade: | No |
| Lm: | 2171.26 | Ra: | 83.4 | Shrink wrap: | No |
| Class: | III | Bulk: | No | Applied Standard: | CE / LVD |
| IP: | 20 | McAdam: | 4.1 | Power: | 30.0W |

PACKAGING DETAILS

| | Individual Box | Outer Box | Master Box |
|---------------------------|-------------------------------|-------------|-------------|
| Type: | MDC-BLANC+ETIQ COLORS / WHITE | | |
| Units: | 1.00 | 0.00 | 0.00 |
| Measures: | 0290-0100-1044 | ___-___-___ | ___-___-___ |
| Gross Weight (kg): | 7.45 | - | - |
| CTN 40': | 1.849,00 | | |

OBSERVATIONS

2000lm i 350lm



TECHNICAL DATA N° 2.571 -574688710

LAMP INFO

| | | | |
|--------------------------|---|---------------------|------|
| Description: | L. PIE DUOMO T,LED 5W+22W, USB+mesa(blanco.mat) | | |
| Mark: | 20000 FL Floor Lamp | | |
| Reference: | 574688710 | | |
| Provisional Ref.: | | | |
| Range: | 57104 DUOMO | | |
| Code EAN: | 8421797746889 | | |
| Measures (mm): | 0180-0025-4025 | Weight (kg): | 5.93 |

TECHNICAL INFO

| | | | | | |
|--------------------------|---------------|----------------|------------------------|---------------------------|---------------|
| Lampholder/Watts: | LED 22W + 5W | Switch: | Rotatory / push-button | Transformer: | Yes |
| Bulb included: | Yes - SMD | Dimmer: | Yes | Voltage/Frequence: | DC 24V - 1.7A |
| CCT: | 3000K / 4000K | Efi: | A++..A | Shade: | No |
| Lm: | 2171.26 | Ra: | 83.4 | Shrink wrap: | No |
| Class: | III | Bulk: | No | Applied Standard: | CE / LVD |
| IP: | 20 | McAdam: | 4.1 | Power: | 30.0W |

PACKAGING DETAILS

| | Individual Box | Outer Box | Master Box |
|---------------------------|-----------------------|-------------|-------------|
| Type: | MDC- COLORS / COULEUR | | |
| Units: | 1.00 | 0.00 | 0.00 |
| Measures: | 0290-0100-1040 | ___-___-___ | ___-___-___ |
| Gross Weight (kg): | 7.45 | - | - |
| CTN 40': | 1.856,00 | | |

OBSERVATIONS

2000lm i 350lm