

TECHNICAL DATA N° 2.578 -573544302

LAMP INFO

Description:	APLIQUE SIONE, 7W 600lm dim(bronze)		
Mark:	10002 WL Wall Lamp		
Reference:	573544302		
Provisional Ref.:			
Range:	57350 SIONE		
Code EAN:	8421797735449		
Measures (mm):	0120-0120-0162	Weight (kg):	0.38

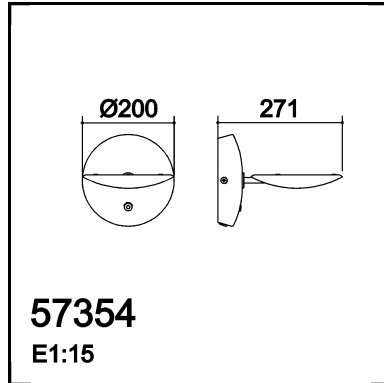
TECHNICAL INFO

Lampholder/Watts:	LED 7W	Switch:	Push-button	Transformer:	Yes
Bulb included:	Yes - COB	Dimmer:	Yes	Voltage/Frequence:	230V - 50Hz
CCT:	3000K	Efi:	A++..A	Shade:	No
Lm:	411.67	Ra:	83.3	Shrink wrap:	No
Class:	II	Bulk:	No	Applied Standard:	CE / LVD
IP:	20	McAdam:	1.2	Power:	9.2W

PACKAGING DETAILS

	Individual Box	Outer Box	Master Box
Type:	MDC-MARRON / BROWN	MDC - MARRON / BROWN	
Units:	1.00	12.00	0.00
Measures:	0160-0130-0100	0330-0280-0340	___-___-___
Gross Weight (kg):	0.48	6.38	-
CTN 40':	21.390,00		

OBSERVATIONS


TECHNICAL DATA N° 2.577 -573543502
LAMP INFO

Description:	APLIQUE SIONE, 7W 600lm dim (cromo mate)		
Mark:	10002 WL Wall Lamp		
Reference:	573543502		
Provisional Ref.:			
Range:	57350 SIONE		
Code EAN:	8421797735432		
Measures (mm):	0120-0120-0162	Weight (kg):	0.38

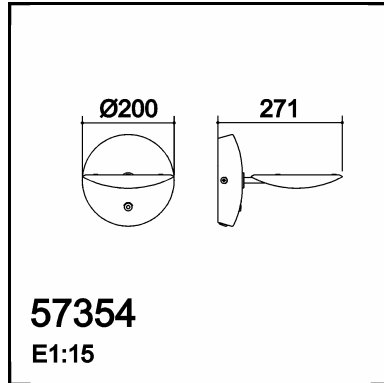
TECHNICAL INFO

Lampholder/Watts:	LED 7W	Switch:	Push-button	Transformer:	Yes
Bulb included:	Yes - COB	Dimmer:	Yes	Voltage/Frequence:	230V - 50Hz
CCT:	3000K	Efi:	A++..A	Shade:	No
Lm:	411.67	Ra:	83.3	Shrink wrap:	No
Class:	II	Bulk:	No	Applied Standard:	CE / LVD
IP:	20	McAdam:	1.2	Power:	9.2W

PACKAGING DETAILS

	Individual Box	Outer Box	Master Box
Type:	MDC-MARRON / BROWN	MDC - MARRON / BROWN	
Units:	1.00	12.00	0.00
Measures:	0160-0130-0100	0330-0280-0340	___-___-___
Gross Weight (kg):	0.48	6.38	-
CTN 40':	21.390,00		

OBSERVATIONS



TECHNICAL DATA N° 2.576 -573540702

LAMP INFO

Description:	APLIQUE SIONE, 7W 600lm dim(antracita+cobre)		
Mark:	10002 WL Wall Lamp		
Reference:	573540702		
Provisional Ref.:			
Range:	57350 SIONE		
Code EAN:	8421797735418		
Measures (mm):	0120-0120-0162	Weight (kg):	0.38

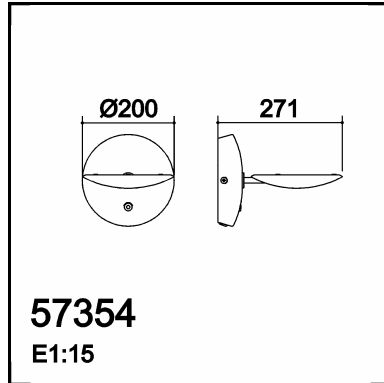
TECHNICAL INFO

Lampholder/Watts:	LED 7W	Switch:	Push-button	Transformer:	Yes
Bulb included:	Yes - COB	Dimmer:	Yes	Voltage/Frequence:	230V - 50Hz
CCT:	3000K	Efi:	A++..A	Shade:	No
Lm:	411.67	Ra:	83.3	Shrink wrap:	No
Class:	II	Bulk:	No	Applied Standard:	CE / LVD
IP:	20	McAdam:	1.2	Power:	9.2W

PACKAGING DETAILS

	Individual Box	Outer Box	Master Box
Type:	MDC-MARRON / BROWN	MDC - MARRON / BROWN	
Units:	1.00	12.00	0.00
Measures:	0160-0130-0100	0330-0280-0340	___-___-___
Gross Weight (kg):	0.48	6.38	-
CTN 40':	21.390,00		

OBSERVATIONS



TECHNICAL DATA N° 2.575 -573540602

LAMP INFO

Description:	APLIQUE SIONE, 7W 600lm dim(negro mate+cromo)		
Mark:	10002 WL Wall Lamp		
Reference:	573540602		
Provisional Ref.:			
Range:	57350 SIONE		
Code EAN:	8421797735401		
Measures (mm):	0120-0120-0162	Weight (kg):	0.38

TECHNICAL INFO

Lampholder/Watts:	LED 7W	Switch:	Push-button	Transformer:	Yes
Bulb included:	Yes - COB	Dimmer:	Yes	Voltage/Frequence:	230V - 50Hz
CCT:	3000K	Efi:	A++..A	Shade:	No
Lm:	411.67	Ra:	83.3	Shrink wrap:	No
Class:	II	Bulk:	No	Applied Standard:	CE / LVD
IP:	20	McAdam:	1.2	Power:	9.2W

PACKAGING DETAILS

	Individual Box	Outer Box	Master Box
Type:	MDC-MARRON / BROWN	MDC - MARRON / BROWN	
Units:	1.00	12.00	0.00
Measures:	0160-0130-0100	0330-0280-0340	___-___-___
Gross Weight (kg):	0.48	6.38	-
CTN 40':	21.390,00		

OBSERVATIONS
