

TECHNICAL DATA N° 2.393 - 573301221

LAMP INFO

| | | | |
|--------------------------|---|---------------------|------|
| Description: | LAMP MESA WERLIST,LED10W3300-5000K(oro/blanc)+USB | | |
| Mark: | 20001 TL Table Lamp | | |
| Reference: | 573301221 | | |
| Provisional Ref.: | | | |
| Range: | 57330 WERLIST | | |
| Code EAN: | 8421797733018 | | |
| Measures (mm): | 0300-0500-0300 | Weight (kg): | 1.10 |

TECHNICAL INFO

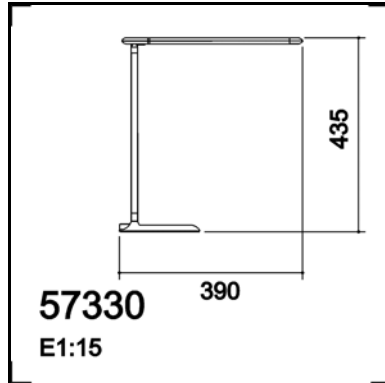
| | | | | | |
|--------------------------|-------------------------------|----------------|--------|---------------------------|-------------|
| Lampholder/Watts: | LED 10W | Switch: | Touch | Transformer: | Yes |
| Bulb included: | Yes | Dimmer: | Yes | Voltage/Frequence: | DC 12V - 1A |
| CCT: | 3 steps CCT 3300K-4200K-5500K | Efi: | A++..A | Shade: | No |
| Lm: | - | Ra: | - | Shrink wrap: | No |
| Class: | III | Bulk: | No | Applied Standard: | CE / LVD |
| IP: | 20 | McAdam: | - | Power: | - |

PACKAGING DETAILS

| | Individual Box | Outer Box | Master Box |
|---------------------------|-----------------------|----------------------|------------|
| Type: | MDC- COLORS / COULEUR | MDC - MARRON / BROWN | |
| Units: | 1.00 | 8.00 | 0.00 |
| Measures: | 0190-0060-0450 | 0465-0400-0390 | _____ |
| Gross Weight (kg): | 1.35 | 11.00 | - |
| CTN 40': | 6.175,00 | | |

OBSERVATIONS

| |
|-----------|
| LED 500lm |
| |
| |
| |
| |



TECHNICAL DATA N° 2.394 -573302321

LAMP INFO

| | | | |
|--------------------------|---|---------------------|------|
| Description: | LAMP MESA WERLIST,LED10W3300-5000K(azul e/bl)+USB | | |
| Mark: | 20001 TL Table Lamp | | |
| Reference: | 573302321 | | |
| Provisional Ref.: | | | |
| Range: | 57330 WERLIST | | |
| Code EAN: | 8421797733025 | | |
| Measures (mm): | 0300-0500-0300 | Weight (kg): | 1.10 |

TECHNICAL INFO

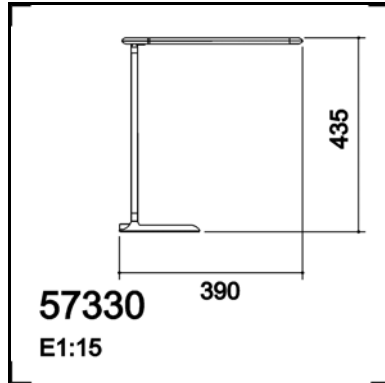
| | | | | | |
|--------------------------|-------------------------------|----------------|--------|---------------------------|-------------|
| Lampholder/Watts: | LED 10W | Switch: | Touch | Transformer: | Yes |
| Bulb included: | Yes | Dimmer: | Yes | Voltage/Frequence: | DC 12V - 1A |
| CCT: | 3 steps CCT 3300K-4200K-5500K | Efi: | A++..A | Shade: | No |
| Lm: | - | Ra: | - | Shrink wrap: | No |
| Class: | III | Bulk: | No | Applied Standard: | CE / LVD |
| IP: | 20 | McAdam: | - | Power: | - |

PACKAGING DETAILS

| | Individual Box | Outer Box | Master Box |
|---------------------------|-----------------------|----------------------|-------------|
| Type: | MDC- COLORS / COULEUR | MDC - MARRON / BROWN | |
| Units: | 1.00 | 8.00 | 0.00 |
| Measures: | 0190-0450-0060 | 0465-0400-0390 | ___-___-___ |
| Gross Weight (kg): | 1.35 | 11.00 | - |
| CTN 40': | 6.175,00 | | |

OBSERVATIONS

| |
|-----------|
| LED 500lm |
| |
| |
| |
| |



TECHNICAL DATA N° 2.395 - 573303621

LAMP INFO

| | | | |
|--------------------------|--|---------------------|------|
| Description: | LAMP MESA WERLIST,LED10W3300-5000K(plata/blan)+USB | | |
| Mark: | 20001 TL Table Lamp | | |
| Reference: | 573303621 | | |
| Provisional Ref.: | | | |
| Range: | 57330 WERLIST | | |
| Code EAN: | 8421797733032 | | |
| Measures (mm): | 0300-0500-0300 | Weight (kg): | 1.10 |

TECHNICAL INFO

| | | | | | |
|--------------------------|-------------------------------|----------------|--------|---------------------------|-------------|
| Lampholder/Watts: | LED 10W | Switch: | Touch | Transformer: | Yes |
| Bulb included: | Yes | Dimmer: | Yes | Voltage/Frequence: | DC 12V - 1A |
| CCT: | 3 steps CCT 3300K-4200K-5500K | Efi: | A++..A | Shade: | No |
| Lm: | - | Ra: | - | Shrink wrap: | No |
| Class: | III | Bulk: | No | Applied Standard: | CE / LVD |
| IP: | 20 | McAdam: | - | Power: | - |

PACKAGING DETAILS

| | Individual Box | Outer Box | Master Box |
|---------------------------|-----------------------|----------------------|------------|
| Type: | MDC- COLORS / COULEUR | MDC - MARRON / BROWN | |
| Units: | 1.00 | 8.00 | 0.00 |
| Measures: | 0190-0450-0060 | 0465-0400-0390 | _____ |
| Gross Weight (kg): | 1.35 | 11.00 | - |
| CTN 40': | 6.175,00 | | |

OBSERVATIONS

| |
|-----------|
| LED 500lm |
| |
| |
| |
| |